

Commercial Hydraulics SG102 Dump Pump

Reduced Dump Truck Cycle Time

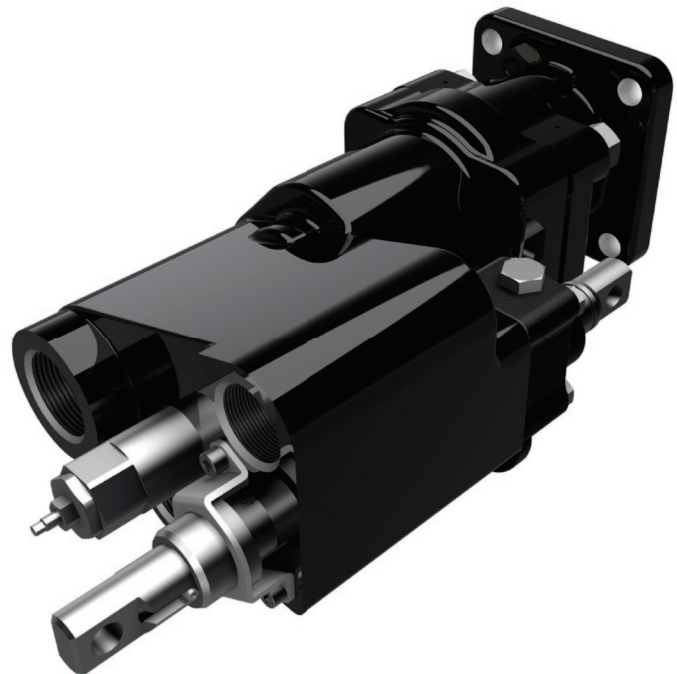


Large Dump Pump Performance in a More Compact Design:

The SG102 Dump Pump is part of Parker's family of Commercial Hydraulics truck pumps. Building upon the technology of the industry standard C102/G102 pumps, the innovative SG102 Dump Pump provides a 37% faster dumping cycle versus the standard G102.

The pump is designed to fit where space is limited, but greater flow is still a necessity. The SG102 Dump Pump utilizes the valve body of the larger frame size C Series dump pump, providing large dump pump flow characteristics for a faster dump cycle time, yielding greater work cycle efficiency.

The dump truck industry will benefit from the improved power density as well as safety due to the quicker cycle time for the bed to return prior to the operator moving from the job site location.



Contact Information:

Parker Hannifin Corporation
Gear Pump Division
101 Canterbury Road
Kings Mountain, NC 28086

phone 704 730 2000
fax 704 730 5856
GPDCustomerService@parker.com

www.parker.com/gearpump

Product Features:

- 25% greater flow than G102 2" dump pump
- 20% less weight than the C102 2.5" dump pump
- Large pump valve body flow characteristics
- 4-bolt "B" or 4-bolt DIN flange
- 13T "B" or 8T DIN shaft
- Pressures to 2500 PSI
- Manual or air shift option



ENGINEERING YOUR SUCCESS.

SG102 Technical Specifications

Features	Standard C102	Standard G102	SG102
Displacement (in ³ /rev)	6.38	3.94	4.93
Weight (lb)	70	42	56
Height (in)	6.25	5.25	5.44
Width (in)	8.00	6.13	6.91
Length (in)	15	12.5	14.46
Theo. flow at 1800 rpm	49.7	30.7	38.4
Pressure (psi)	up to 2500	up to 2500	up to 2500
Speed range (rpm)	up to 2400	up to 2400	up to 2400
Shaft	SAE "B" 13T	SAE "B" 13T	SAE "B" 13T
Flange	SAE "B" 4-bolt	SAE "B" 4-bolt	SAE "B" 4-bolt
Material	cast iron	cast iron	cast iron
Porting	1-1/4" x 1" NPT	1-1/4" x 1" NPT	1-1/4" x 1" NPT
Spool action	manual or air	manual or air	manual or air
Support	Extended studs	Extended studs	Threaded holes
Pressure drop (psi)	90	295	90

SG102 Dump Dimensions

